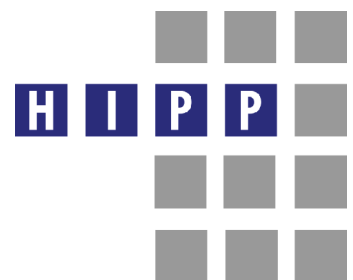


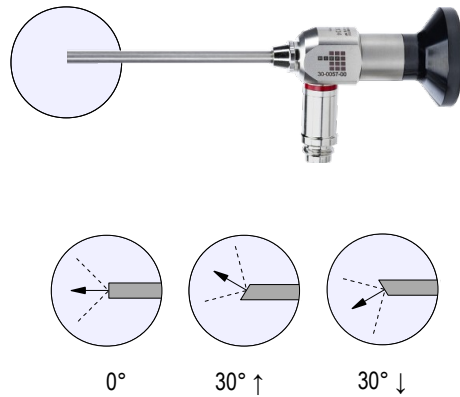
HIPP Endoskop Service GmbH

>> *your requirements are our aims.*



Technische Produktinformation Otoskope
Technical Product Information Otosopes





Otoskope – Storz-kompatibel
Otoscopies – Storz-compatible

autoklavierbar (134°C / 273°F)
autoclavable (134°C / 273°F)

Ø [mm] Ø [mm]	Blickrichtung direction of view	Nutzlänge [mm] working length [mm]	HD	Artikel-Nr. article-no.
2,7	0°	50	x	30-0041-00
2,7	30°↑	50	x	30-0042-00
2,7	30°↓	50	x	30-0574-00
4,0	0°	50	x	30-0043-00
4,0	30°↑	50	x	30-0044-00
4,0	30°↓	50	x	30-0575-00

Kevin Sebley - Endoscopy

4 Beatrice Road, Wisbech, Cambridgeshire, PE13 3PE

Tel: 07761 674499

Email: visionscope@livz.co.uk.

Kevin Sebley, Product Consultant & Engineer

