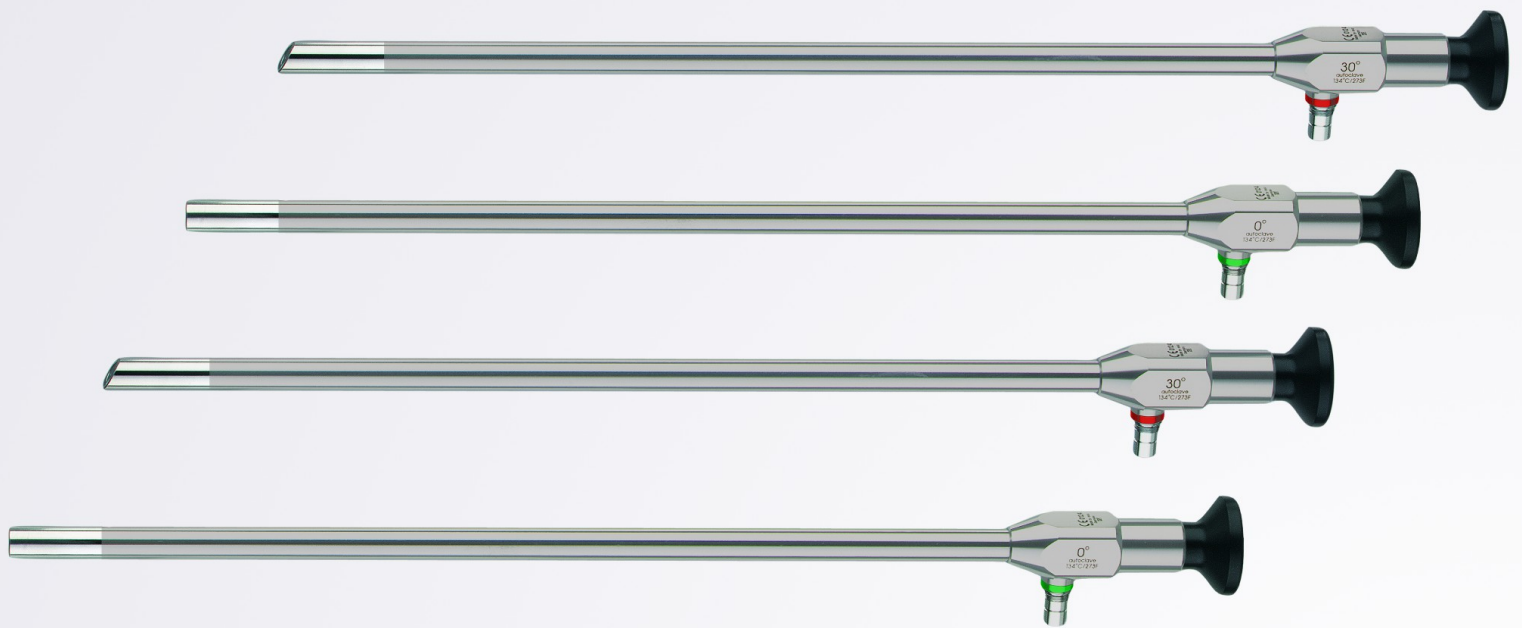
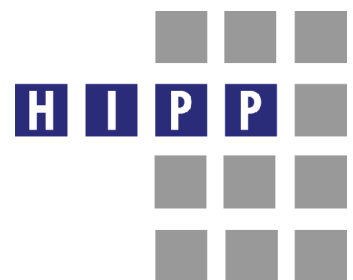


HIPP Endoskop Service GmbH

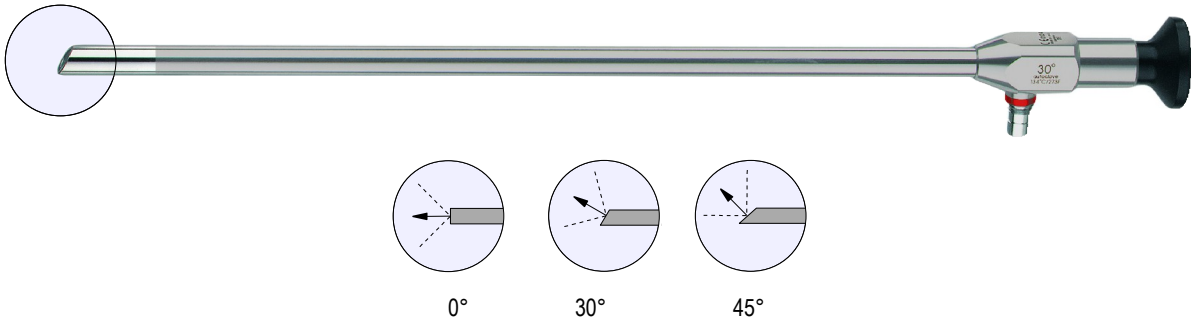
>> your requirements are our aims.



Technische Produktinformation Laparoscope
Technical Product Information Laparoscopes



Laparoskope Laparoscopes



Laparoskope – Storz-kompatibel
Laparoscopes – Storz-compatible

autoklavierbar (134°C / 273°F)
autoclavable (134°C / 273°F)

Ø [mm] Ø [mm]	Blickrichtung direction of view	Nutzlänge [mm] working length [mm]	HD	Artikel-Nr. article-no.
5,0	0°	300	x	30-0071-00
5,0	30°	300	x	30-0072-00
10,0	0°	339	x	30-0075-00
10,0	30°	340	x	30-0076-00
10,0	45°	340	x	30-0078-00
10,0	0°	425	x	30-0702-00
10,0	30°	425	x	30-0553-00



OP-Laparoskope
OP-Laparoscopes

autoklavierbar (134°C / 273°F)
autoclavable (134°C / 273°F)

Ø [mm] Ø [mm]	Blickrichtung direction of view	Nutzlänge [mm] working length [mm]	Ø Arbeitskanal [mm] Ø working channel [mm]	HD	Artikel-Nr. article-no.
10	0°	268	6	x	30-0086-00
10	0°	269	5	x	30-0122-00

Kevin Sebley - Endoscopy

4 Beatrix Road, Wisbech, Cambridgeshire, PE13 3PE

Tel: 07761 674499

Email: visionseopy@livz.co.uk

Kevin Sebley, Product Consultant & Engineer

